

**PK 53002 SH**

# **OPERATOR FRIENDLY AND SENSITIVE CONTROLLABLE. IMPRESSIVE ATTRIBUTES FOR DELICATE OPERATIONS**

**LIFETIME EXCELLENCE**



# LIFETIME EXCELLENCE

PALFINGER loader cranes are convincing due to their superior life-cycle performance. They are the most economical and also the most reliable over the entire product life. From solution finding to resale.

- **Better solutions**
- **Better efficiency**
- **Better ergonomics**
- **Higher availability**
- **More reliability**
- **Better ecology**
- **Higher serviceability**
- **Higher value retention**



# MAXIMUM UTILISATION OF THE WORKING RANGE

- Increased comfort and safety due to Soft Stop
- Maximum utilisation of the working range due to HPSC
- More lifting power due to S-HPLS
- Continuous slewing for increased efficiency and speed
- Additional applications with Power Link Plus





# PERFECT TOOL WITH SOPHISTICATED KINEMATICS

## 12 Highlights



### Continuous slewing system

Unrestricted movement

More efficient in operation due to faster loading cycles, since the crane can be slewed over a shorter distance. The crane works more efficiently and faster.



### Power Link Plus

High variety of uses

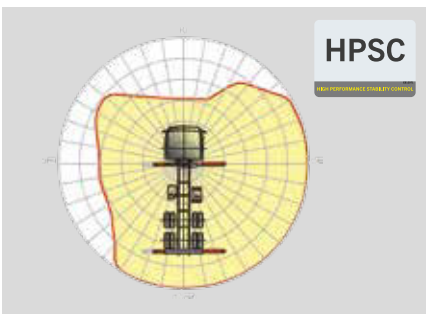
With the 15-degree reverse linkage system, you can reach through low door openings and also work inside buildings. Heavy crane work – even in difficult conditions.



### Low-maintenance extension system

Reduces service time

With sliding elements made of synthetic material and the high-quality KTL coating, this boom system significantly simplifies service performed by the operator. This saves time and money – and protects the environment.



### HPSC

Maximum utilisation of the working range

The variable stabiliser positioning of the High Performance Stability Control System makes it possible to utilise the lifting capacity to the maximum. It enables working within tight spaces.



### S-HPLS

More lifting power when it is really needed

S-HPLS is one of the most important functions of the PALTRONIC 150. It is a fully automatic system for increasing the lifting power. Depending on the need, there is continuous adaptation of the lifting power and speed of the crane.



### PALcom P7

Communication with the operator

The new PALcom P7 features a modern, ergonomic design. The centrally located knob „PALdrive“ and a large colour display enables easy and safe operation.



**Power Link cable winch**

More comfort in cable winch operation

Characterised by low installation height, it is ideal for working inside buildings and transports with the crane boom unfolded. The Comfort Cable Routing reduces set-up times to a minimum.



**Functional design**

Practical and attractive

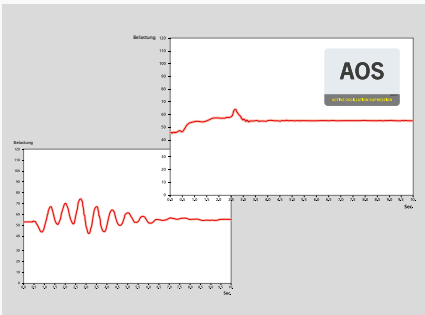
Robust plastic covers protect crane parts against dirt and damage. Better appearance and increased operational comfort – during the entire lifetime.



**Coating technology**

Top quality surface protection at a glance

The KTL coating lays the foundation for a perfect surface protection. Afterwards the components are either coated in the powder-coating facility or are finished with a two-components-topcoat. High value retention and excellent corrosion protection for the whole life of a crane.



**AOS**

Maximum precision and safety

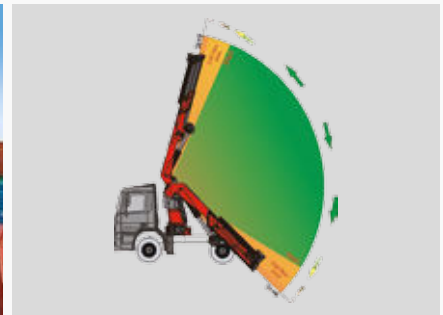
The active oscillation suppression system prevents „post-oscillation“ in the event of rapid braking or load changes. The stress peaks on the extension boom system are reduced and material fatigue and wear are minimised. This increases the resale value.



**DPS Plus**

More efficient fly-jib operation

The Dual Power System allows multiple uses of the crane both for large outreaches as well as for heavy load operation.



**Soft Stop function**

More comfort and safety

The Soft Stop function is an electronic limit position damper. It causes gentle braking of all crane movements before the limit position is reached. Hence, jerky movements and load impacts can be avoided. The crane can be operated more gently and precisely.



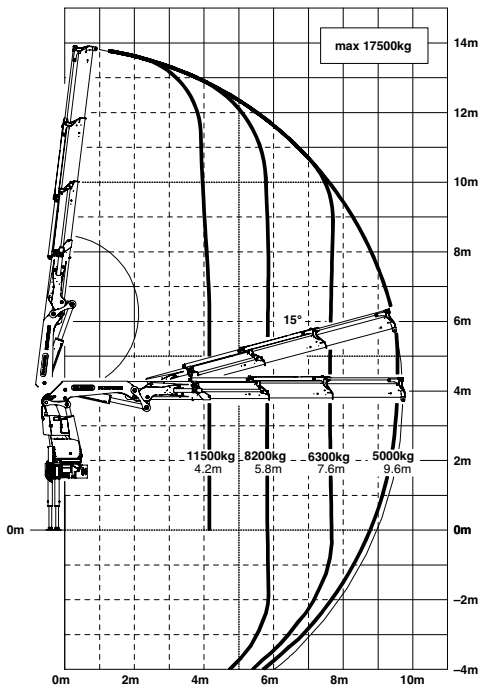
\* Optional features / country-specific equipment

PK 53002 SH

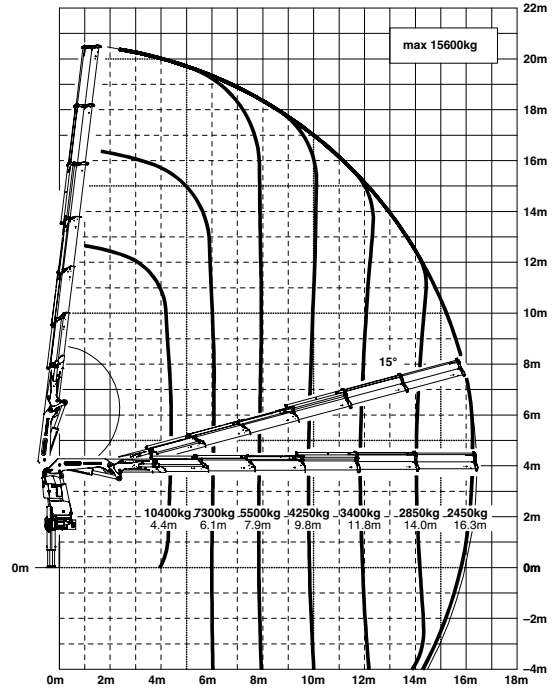
# HIGH PERFORMANCE

More lifting power when it is really needed.

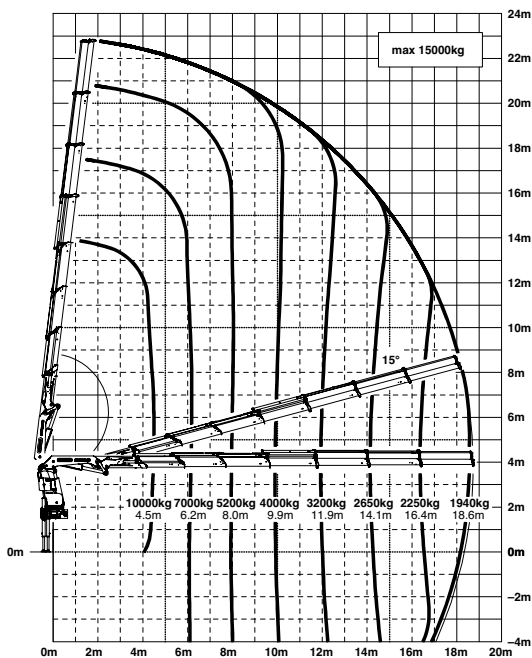
**B**



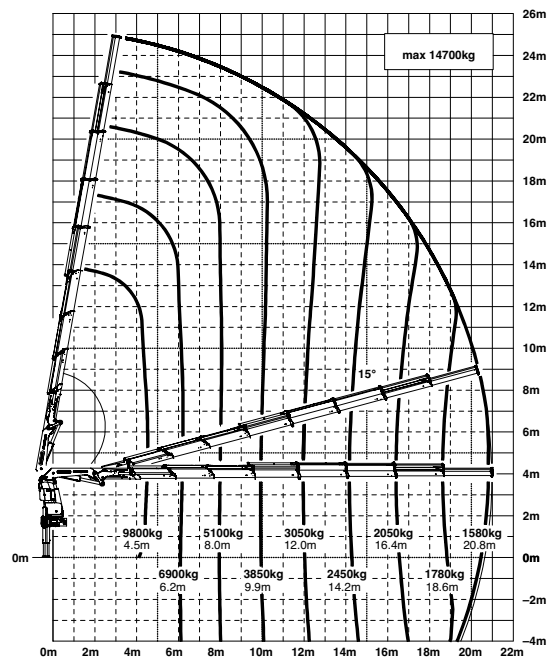
**E**



**F**



**G**

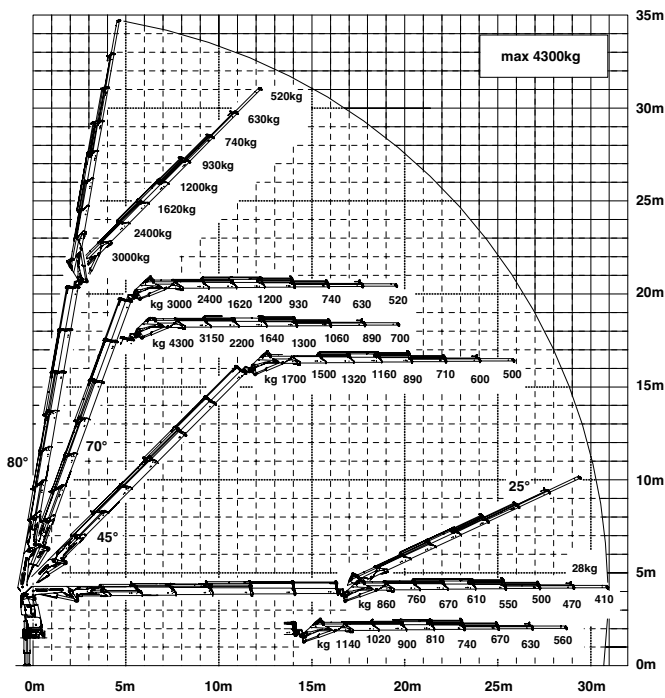


The outreaches stated are with a boom angle of 20° and are therefore not the maximum.

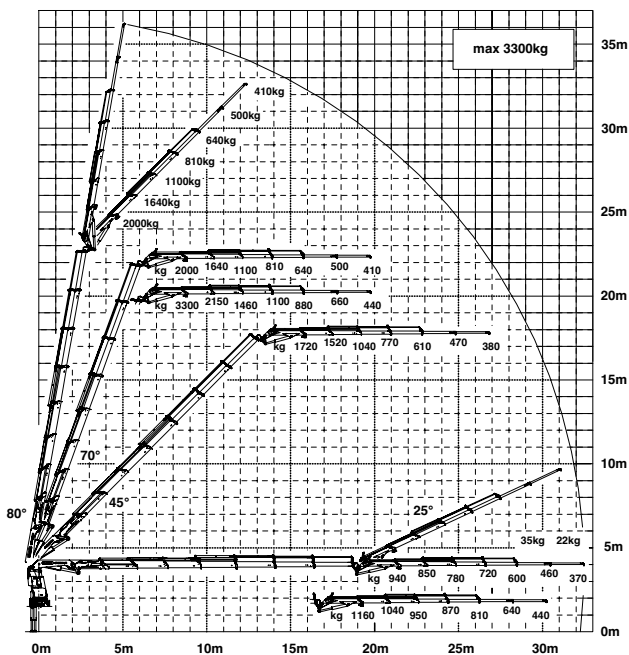


## Lifting capacities

### E PJ125E JV1 DPS PLUS



### F PJ080C JV2 DPS PLUS



max.	17900 kg	39500 lbs	A
4.1 m	13' 5"	11800 kg	25900 lbs
5.8 m	19' 0"	8500 kg	18600 lbs
7.6 m	24' 11"	6500 kg	14300 lbs

max.	17500 kg	38600 lbs	B
4.2 m	13' 9"	11500 kg	25300 lbs
5.8 m	19' 0"	8200 kg	18100 lbs
7.6 m	24' 11"	6300 kg	13800 lbs
9.6 m	31' 6"	5000 kg	11000 lbs

max.	17200 kg	37900 lbs	C
4.2 m	13' 9"	11200 kg	24800 lbs
5.8 m	19' 0"	8000 kg	17500 lbs
7.6 m	24' 11"	6000 kg	13200 lbs
9.6 m	31' 6"	4750 kg	10500 lbs
11.6 m	38' 1"	3900 kg	8600 lbs

max.	16300 kg	36000 lbs	D
4.3 m	14' 1"	10800 kg	23700 lbs
6.0 m	19' 8"	7600 kg	16800 lbs
7.8 m	25' 7"	5700 kg	12600 lbs
9.7 m	31' 10"	4450 kg	9900 lbs
11.7 m	38' 5"	3650 kg	8000 lbs
13.9 m	45' 7"	3050 kg	6700 lbs

max.	15600 kg	34400 lbs	E
4.4 m	14' 5"	10400 kg	22900 lbs
6.1 m	20' 0"	7300 kg	16100 lbs
7.9 m	25' 11"	5500 kg	12000 lbs
9.8 m	32' 2"	4250 kg	9300 lbs
11.8 m	38' 9"	3400 kg	7500 lbs
14.0 m	45' 11"	2850 kg	6200 lbs
16.3 m	53' 6"	2450 kg	5400 lbs

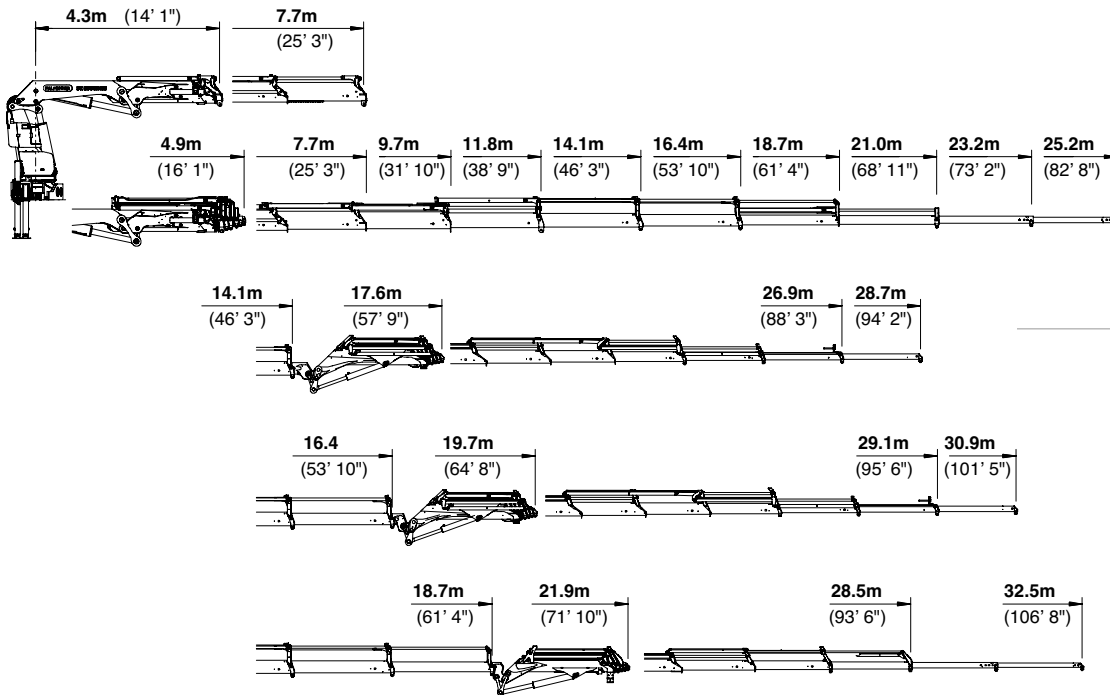
max.	15000 kg	33100 lbs	F
4.5 m	14' 9"	10000 kg	22100 lbs
6.2 m	20' 4"	7000 kg	15500 lbs
8.0 m	26' 3"	5200 kg	11500 lbs
9.9 m	32' 6"	4000 kg	8900 lbs
11.9 m	39' 1"	3200 kg	7100 lbs
14.1 m	46' 3"	2650 kg	5800 lbs
16.4 m	53' 10"	2250 kg	4900 lbs
18.6 m	61' 0"	1940 kg	4300 lbs

max.	14700 kg	32400 lbs	G
4.5 m	14' 9"	9800 kg	21700 lbs
6.2 m	20' 4"	6900 kg	15100 lbs
8.0 m	26' 3"	5100 kg	11100 lbs
9.9 m	32' 6"	3850 kg	8500 lbs
12.0 m	39' 4"	3050 kg	6700 lbs
14.2 m	46' 7"	2450 kg	5400 lbs
16.4 m	53' 10"	2050 kg	4550 lbs
18.6 m	61' 0"	1780 kg	3900 lbs
20.8 m	68' 3"	1580 kg	3500 lbs
23.0 m*	75' 6"	900 kg	1980 lbs
25.0 m*	82' 0"	600 kg	1320 lbs

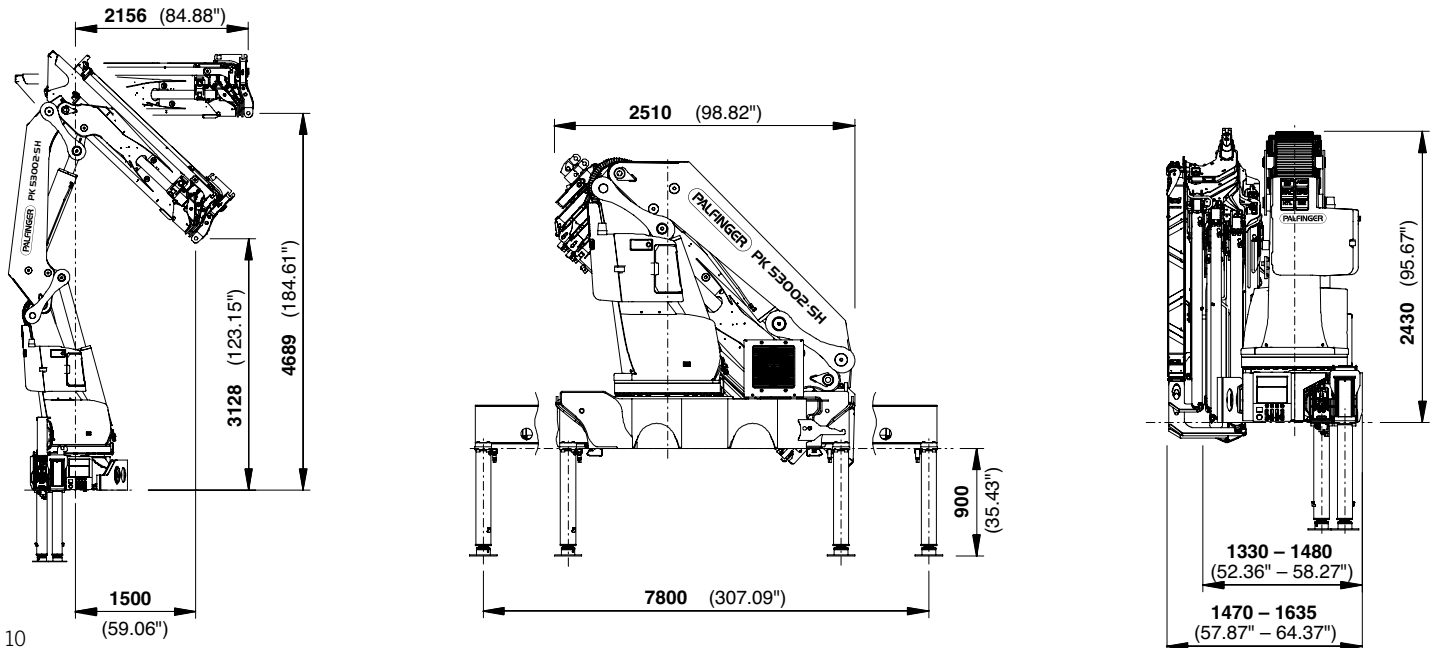
\*mechanical extension

# PERFECT DIMENSIONS

## EXTENSION BOOM VARIATIONS



## DIMENSIONS



## Technical specifications

EN 12999 HC1 HD5/B3

### PK 53002 SH

Max. lifting moment	50.1 mt / 491.5 kNm	362480 ft.lbs
Max. lifting capacity	18200 kg / 178.5 kN	40120 lbs
Max. hydraulic outreach	21.0 m	68' 11"
Max. manual outreach	25.2 m	82' 8"
Max. outreach (with fly-jib)	32.5 m	106' 8"
Slewing angle	continuously variable	

### D PJ125E JV1

Slewing torque with 1 gear	4.0 mt/39.2 kNm	28940 ft. lbs
Slewing torque with 2 gears	5.5 mt/54.0 kNm	39790 ft. lbs
Stabiliser spread	7.8 m	25' 7"
Fitting space required (std.)	min. 1.33 m/4' 4"	max. 1.47 m/4' 10"
Width folded	2.51 m	8' 3"

### E PJ125E JV1 DPS Plus

Max. operating pressure	365 bar	5293 psi
Recommended pump capacity	from 90 l/min to 120 l/min	23.8 US gal./min 31.7 US gal./min
Dead weight (std.)	4145 kg	9140 lbs

### F PJ080C JV2 DPS Plus



KP-HPK53002SM2+EN

Cranes shown in the leaflet are partially optional equipped and do not always correspond to the standard version. Country-specific regulations must be observed. Dimensions may vary. Subject to technical changes, errors and translation mistakes.